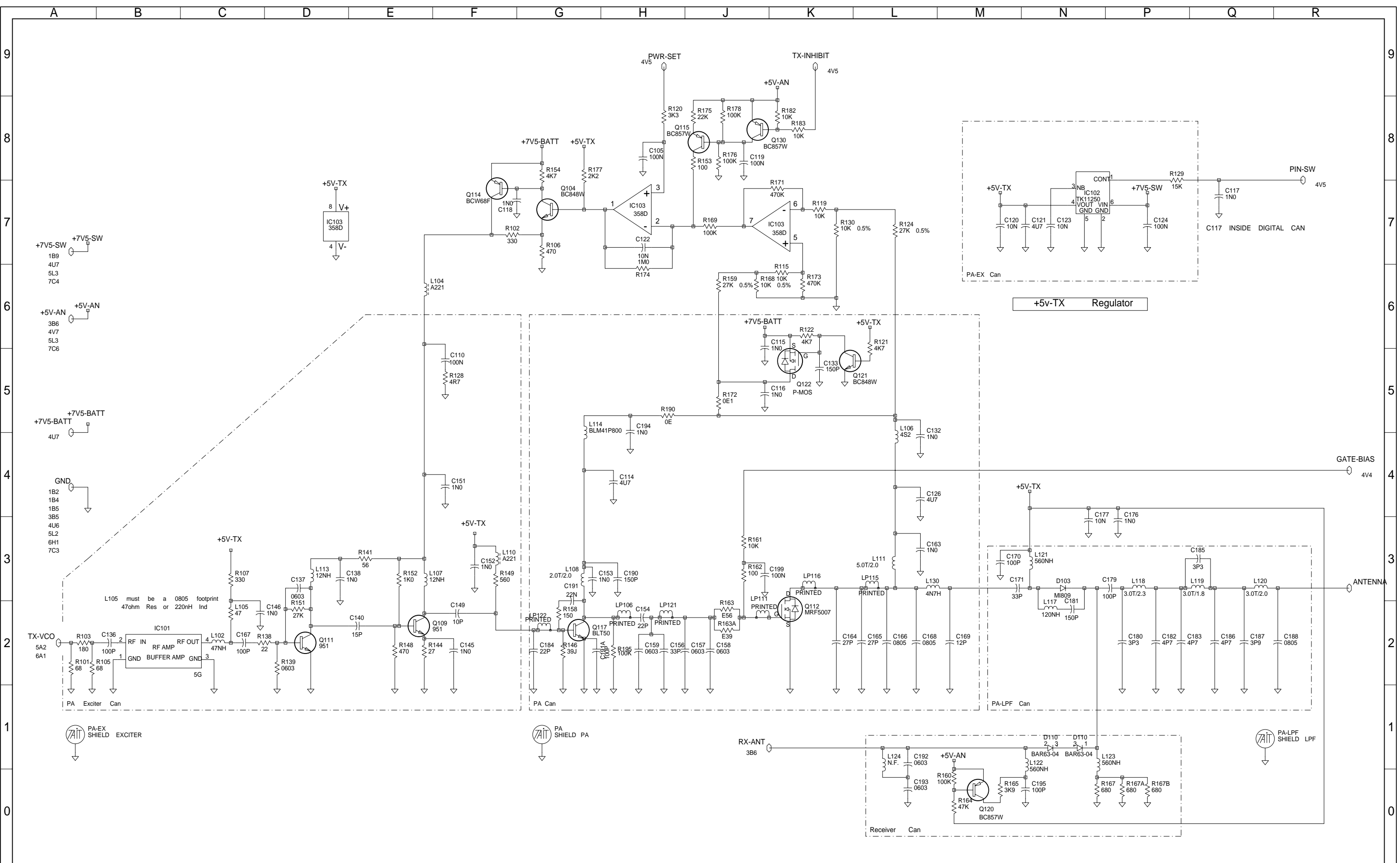


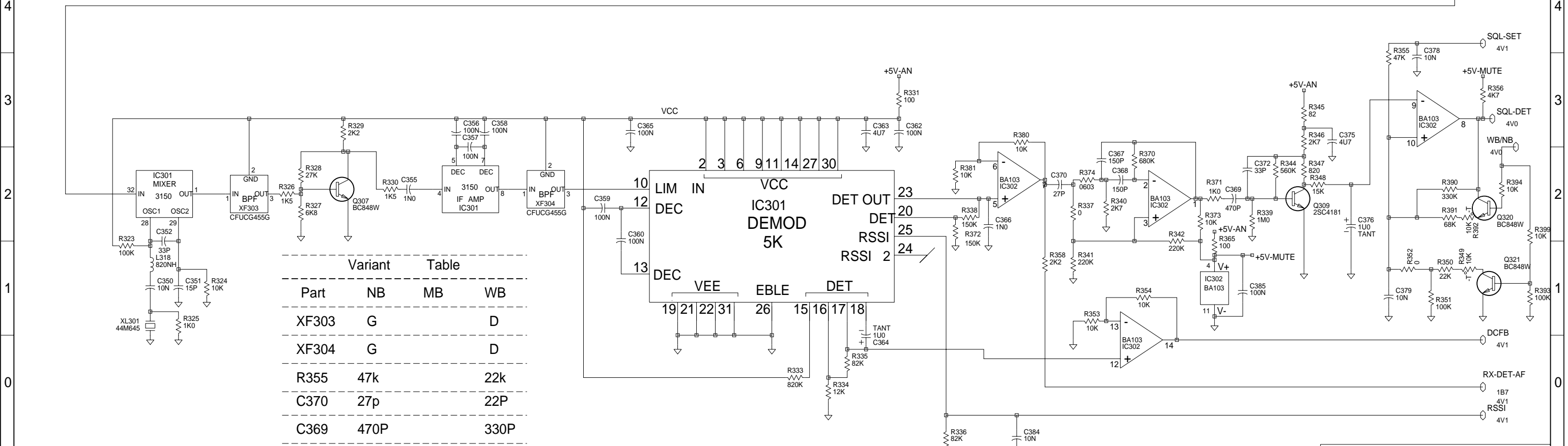
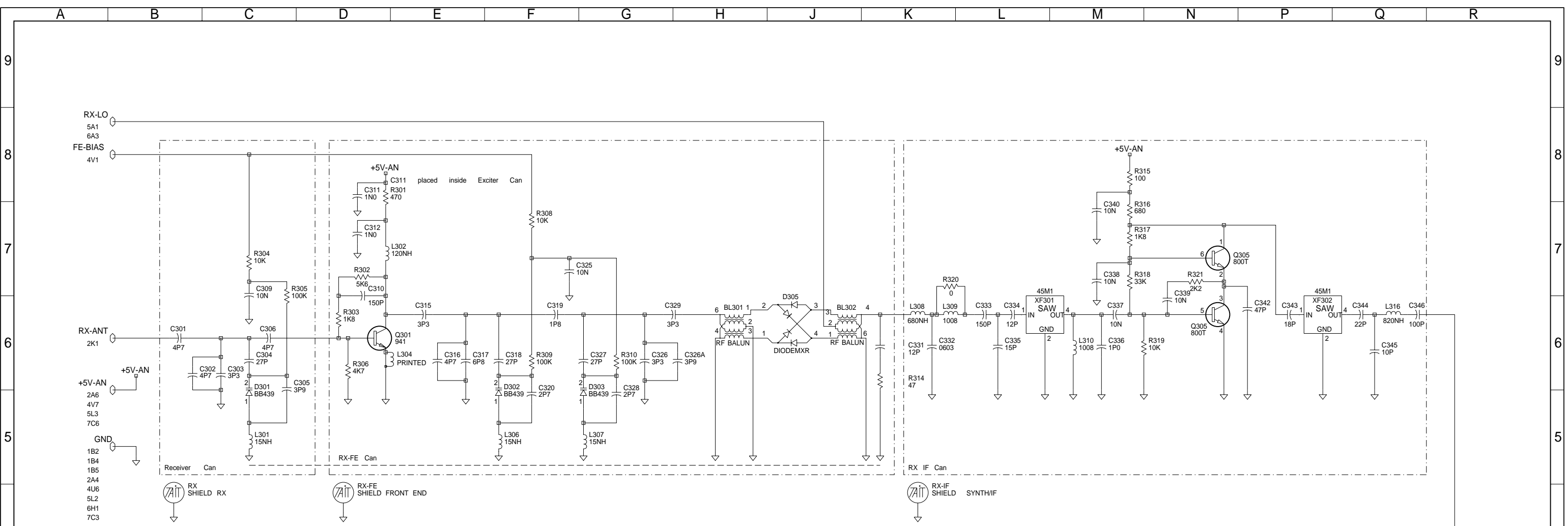
REV/ISS	AMENDMENTS	DRAWN	CHKD	D.O.	APVD	DATE
11A	CHANGE NOTE 500310					05-07-99
10B	CHANGED C572 FROM 0603 TO 0805					11-5-99
10A	MUTE MOD/ALC/BIRDY MODS					11-03-99
09A	UPDATES TO COIL PADS					04/02/99

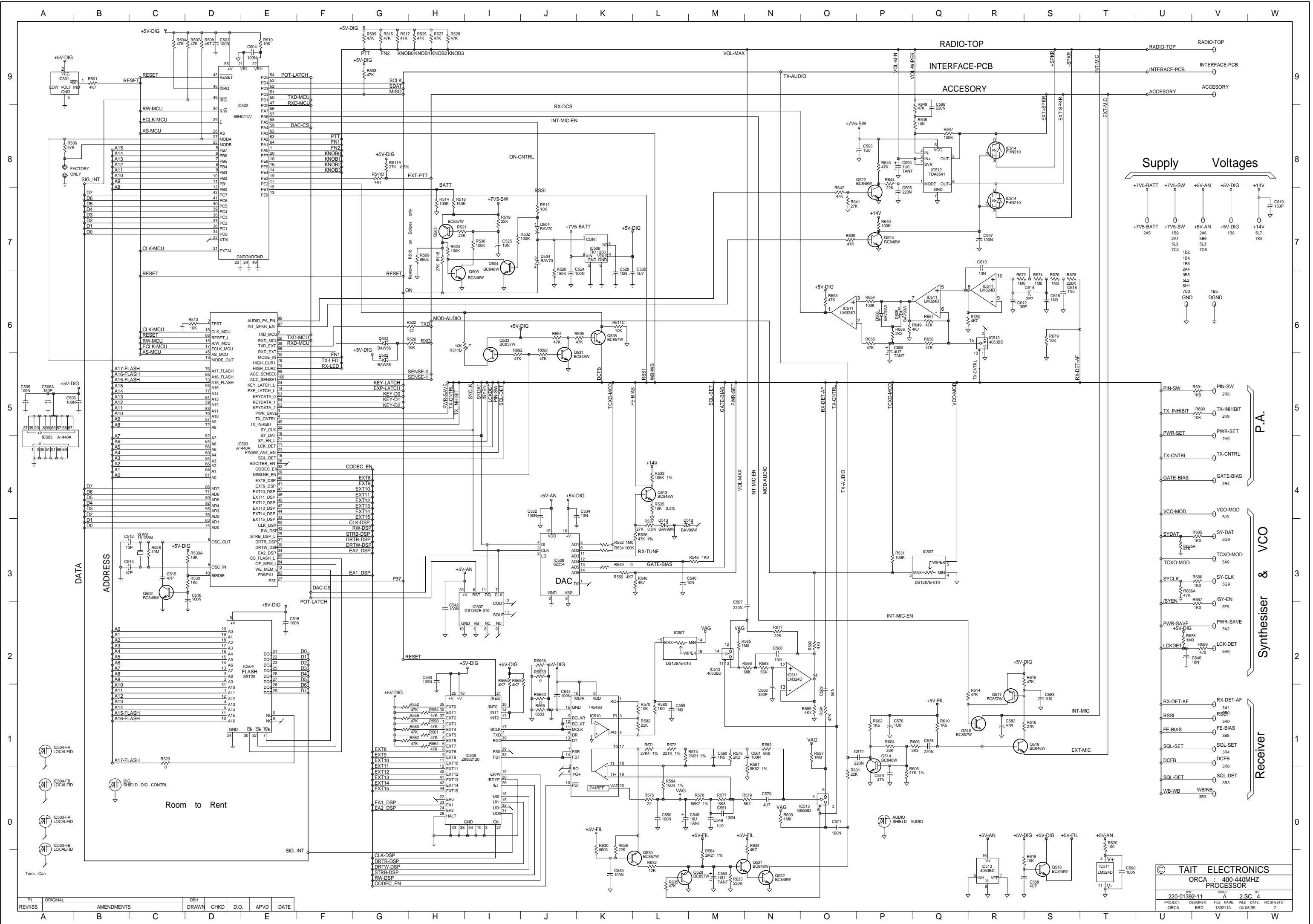
TAIT ELECTRONICS						
ORCA : 400-440MHZ SYSTEM DIAGRAM						
IPN:	ISSUE:	ID:				
220-01392-11	A	2.S.C. 1				
PROJECT:	DESIGNER:	FILE NAME:	FILE DATE:	NO SHEETS:		
ORCA	BRD	139211A	04-08-99	7		



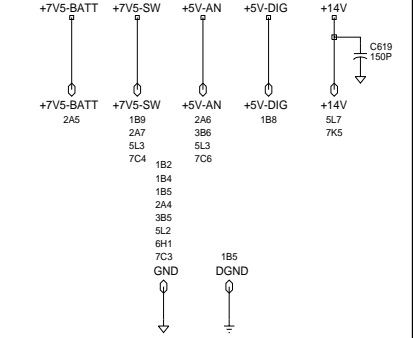
© TAIT ELECTRONICS
 ORCA : 400-440MHZ
 POWER AMPLIFIER
 IPN: 220-01392-11 ISSUE: A ID: 2.S.C. 2
 PROJECT: ORCA DESIGNER: BRD FILE NAME: 139211A FILE DATE: 04-08-99 NO.SHEETS: 7

REV/ISS	AMENDMENTS	DRAWN	CHKD	D.O.	APVD	DATE
A						





Supply Voltages



- PIN-SW 28B
- TX-INHIBIT 28J
- PWR-SET 28H
- TX-CNTRL 28K
- GATE-BIAS 28L
- VCO-MOD 510
- SYDAT 509
- TCXO-MOD 509
- SYCLK 509
- SYEN 509
- PWR-SAVE 509
- LCKDET 509
- RX-DET-AF 187
- RSSI 380
- FE-BIAS 388
- SOL-SET 384
- SOL-DET 383
- WB-WB 383

P.A.

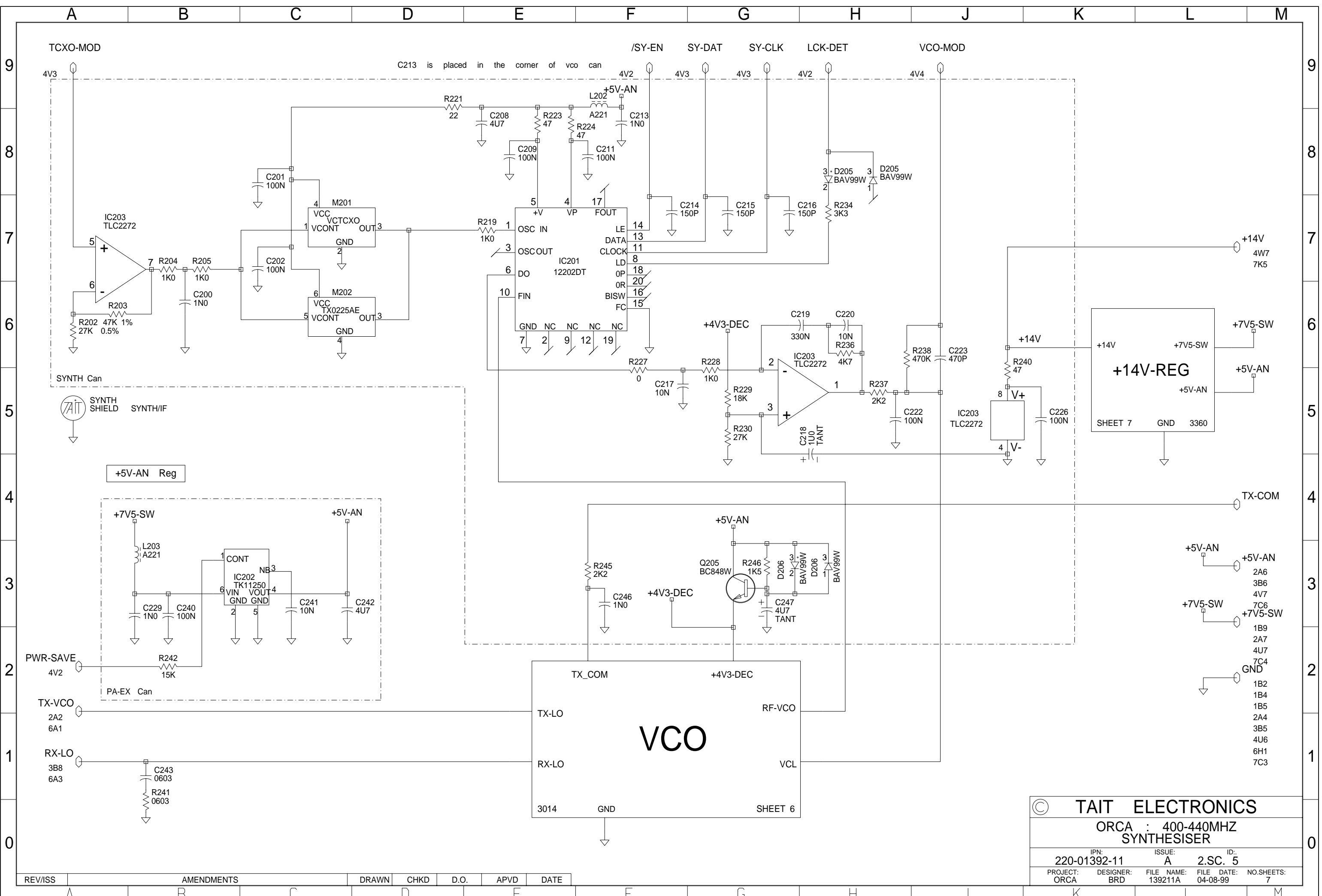
Synthesiser & VCO

Receiver

Room to Rent

© TAIT ELECTRONICS
 ORCA : 400-440MHZ
 PROCESSOR
 220-01392-11
 2 SC. 4
 PROJECT: ORCA BRD 198211A FILE DATE: 04-09-99 NO. SHEETS: 7

REV/ISS	ORIGINAL	AMENDMENTS	DRAWN	CHKD	D.O.	APV/D	DATE
A							



C213 is placed in the corner of vco can

+14V-REG
SHEET 7
GND 3360

+5V-AN Reg

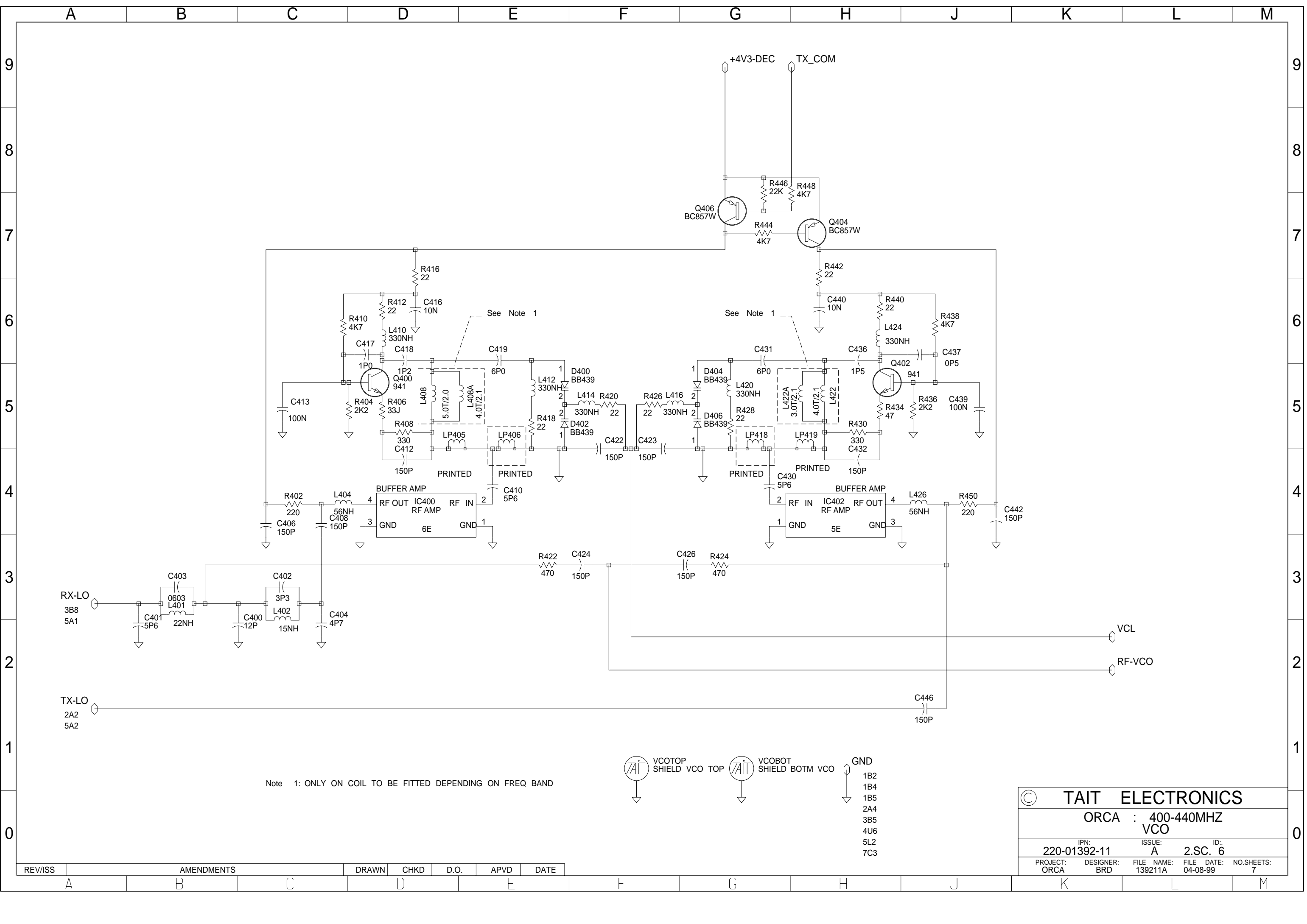
PA-EX Can

VCO
SHEET 6
3014 GND

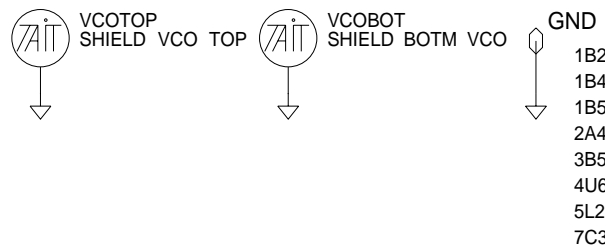
© **TAIT ELECTRONICS**
ORCA : 400-440MHZ SYNTHESISER
IPN: 220-01392-11 ISSUE: A ID: 2.SC. 5
PROJECT: ORCA DESIGNER: BRD FILE NAME: 139211A FILE DATE: 04-08-99 NO.SHEETS: 7

REV/ISS	AMENDMENTS	DRAWN	CHKD	D.O.	APVD	DATE

- +5V-AN 2A6
- +5V-AN 3B6
- 4V7 4V7
- +7V5-SW 7C6
- +7V5-SW 1B9
- GND 2A7
- GND 4U7
- GND 7C4
- GND 1B2
- GND 1B4
- GND 1B5
- GND 2A4
- GND 3B5
- GND 4U6
- GND 6H1
- GND 7C3

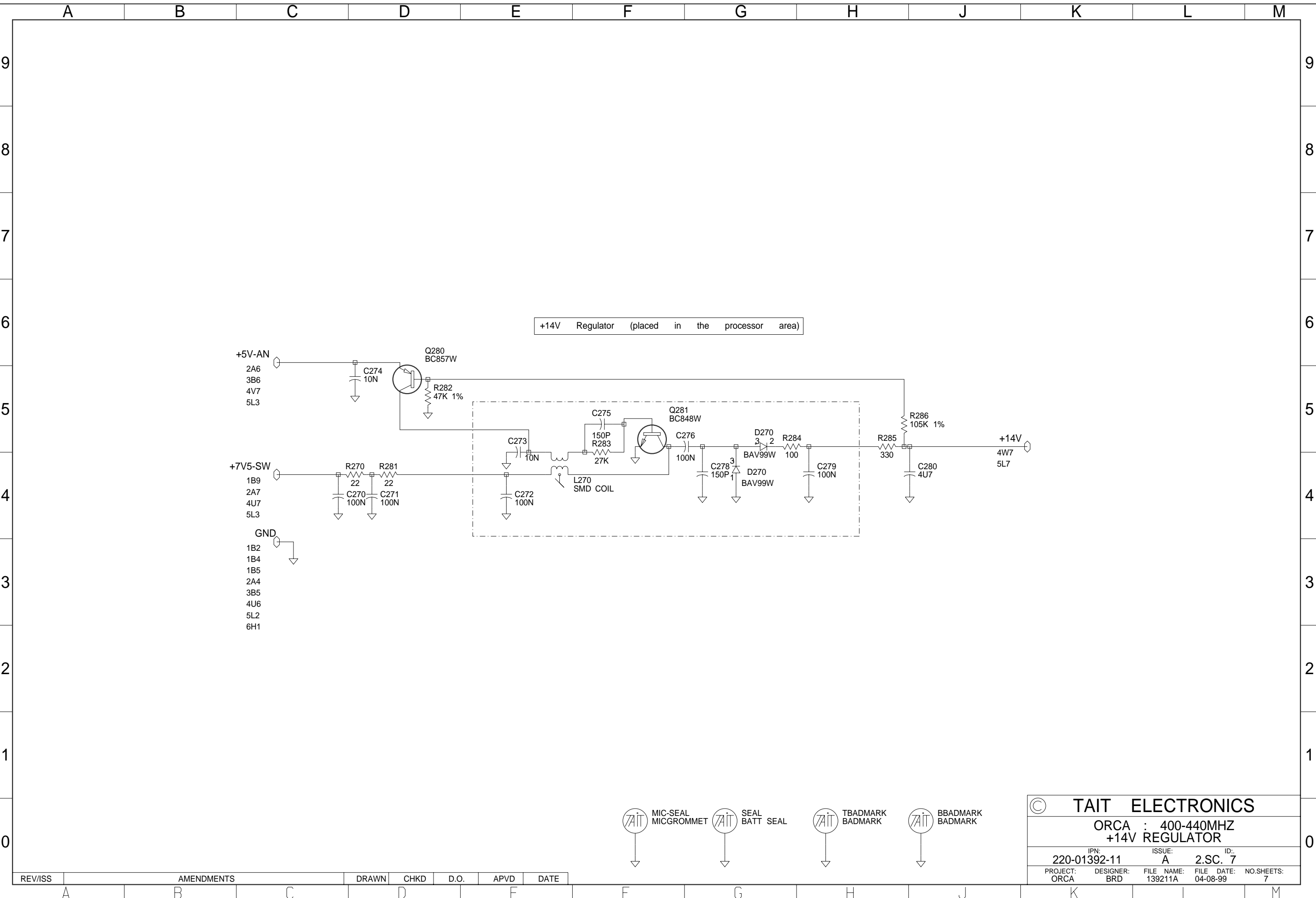


Note 1: ONLY ON COIL TO BE FITTED DEPENDING ON FREQ BAND







© TAIT ELECTRONICS				
ORCA : 400-440MHZ VCO				
IPN:	ISSUE:	ID:		
220-01392-11	A	2.SC. 6		
PROJECT:	DESIGNER:	FILE NAME:	FILE DATE:	NO.SHEETS:
ORCA	BRD	139211A	04-08-99	7

REV/ISS	AMENDMENTS	DRAWN	CHKD	D.O.	APVD	DATE



+14V Regulator (placed in the processor area)

-  MIC-SEAL MICGROMMET
-  SEAL BATT SEAL
-  TBADMARK BADMARK
-  BBADMARK BADMARK

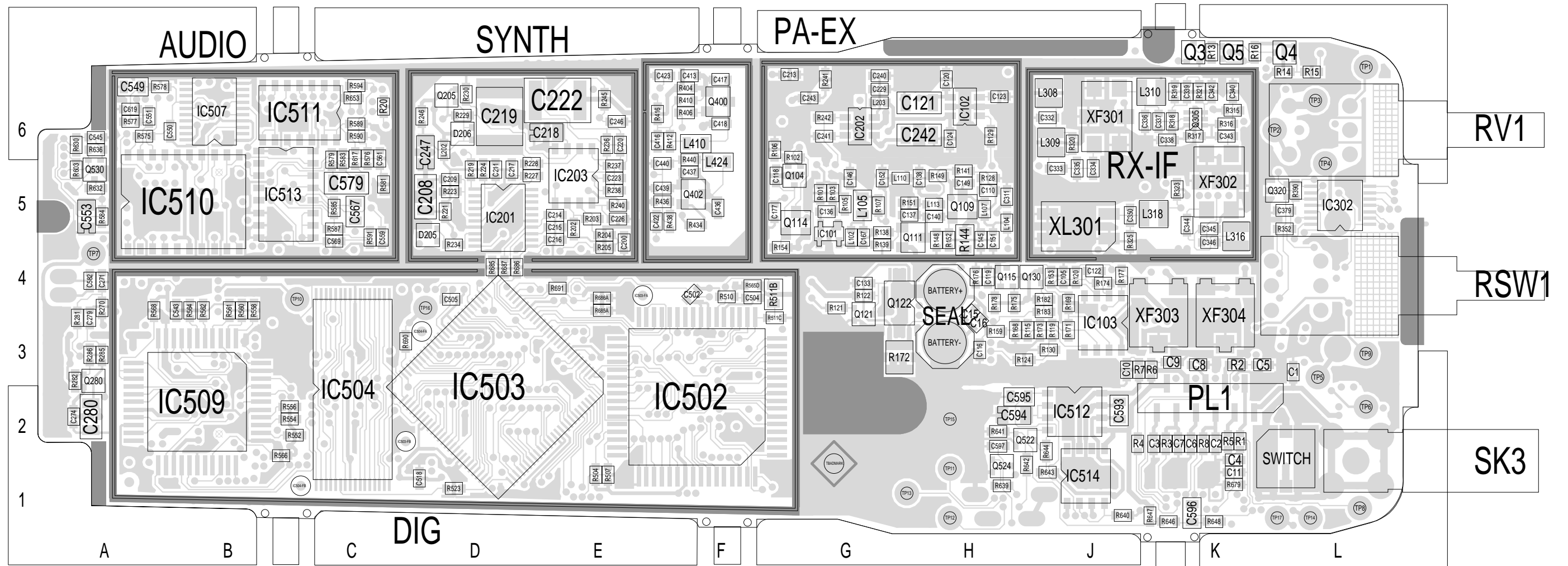
© TAIT ELECTRONICS

ORCA : 400-440MHZ
+14V REGULATOR

IPN: 220-01392-11 ISSUE: A ID: 2.SC. 7

PROJECT: ORCA DESIGNER: BRD FILE NAME: 139211A FILE DATE: 04-08-99 NO.SHEETS: 7

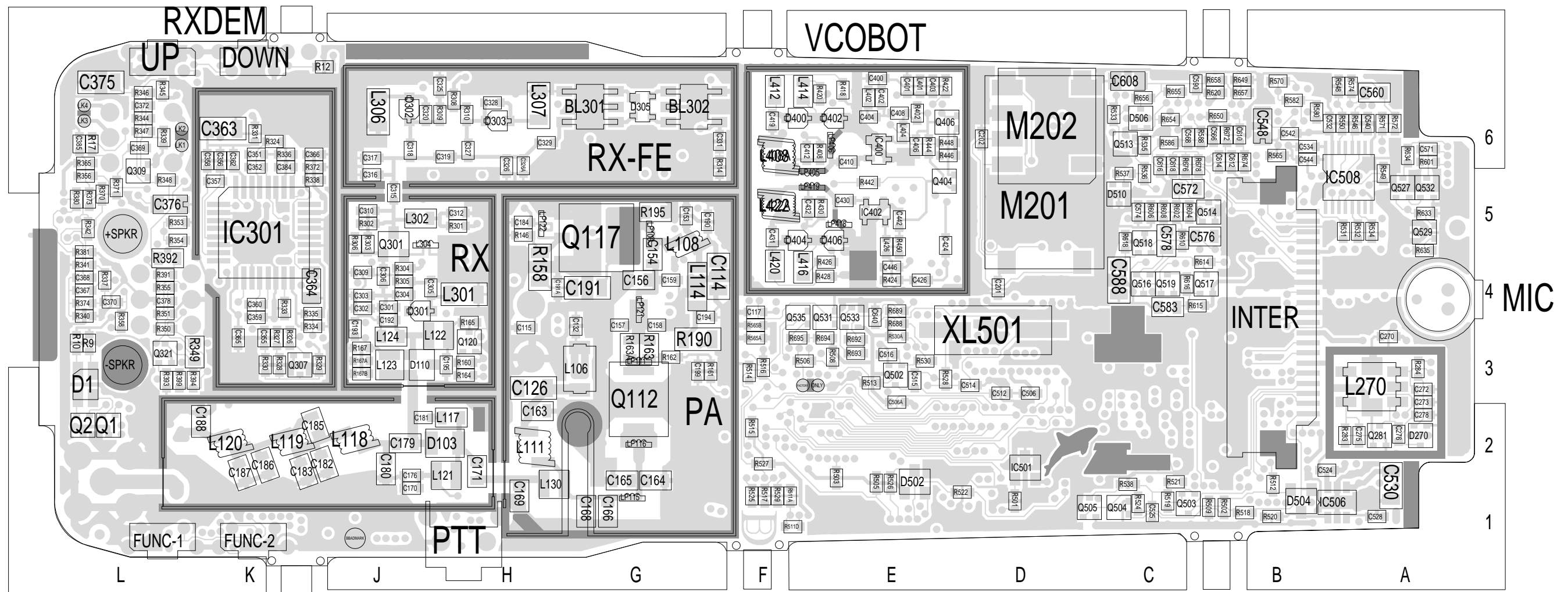
REV/ISS	AMENDMENTS	DRAWN	CHKD	D.O.	APVD	DATE



TAIT ELECTRONICS IPN: 220-01392-11 ISS: -11A ID: 1.TA DATE: 6 Aug 1999

ORCA UHF PCB LAYOUT - TOP SIDE

Scale: 2.3:1 ; Rotation: 0 degrees



TAIT ELECTRONICS IPN: 220-01392-11 ISS: -11A ID: 6.BA DATE: 6 Aug 1999
 ORCA UHF PCB LAYOUT - BOTTOM SIDE

Scale: 2.3:1 ; Rotation: 0 degrees